



LUCOFLEX SLIM

- *Extremely flexible, UV stable, impact resistant and flame retardant silicon extrusion*
- *Protection class IP67*
- *5 year warranty*
- *Wide colour pallet, daytime colours when non-illuminated*
- *Bright, dot-free and homogeneous light*
- *Adjustable in length, cuttable every 55mm*
- *Interfaces with all automation and control systems*

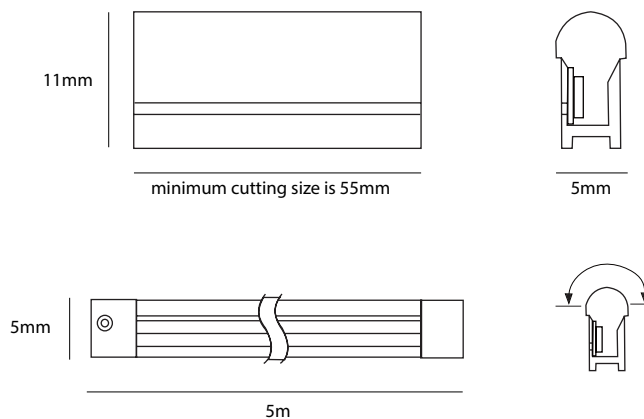
LucoFLEX SLIM is the most flexible neon-replacement product currently available. It can be bent in a very small radius, allowing full artistic freedom as with traditional neon.

The product is made with the latest in-mold silicon extrusion technology, UV resistant, weatherproof, non-yellowing.

LucoFLEX slim is a true low-power LED replacement for small neon signs and art pieces, available in 6 bright, even, colours.

SPECIFICATIONS

- Dimensions:
5mm (W) x 11mm (H)
Lengths of 5m (cuttable every 55mm)
Cuttable every 55mm
- UV stable, impact resistant and flame retardant silicon extrusion
- 5 year warranty
- UL, CE and RoHS compliant
- Constant Current Technology
- Power per meter: 10,8W/m
- Protection class IP67
- 600-650lm/m
- Operating temperature -25°C ~ +60°C
- in-field flat bend of 10mm (radius)



LUCOFLEX TUBES

Item no	Description		Daytime colour	Nom. W/m
FS-3000-W	Warm white - 5m adjustable		3000K	10,8W/m
FS-6000-W	Cool white - 5m adjustable		6000K	10,8W/m
FS-00585-Y	Yellow - 5m adjustable		585-590nm	10,8W/m
FS-00620-R	Red - 5m adjustable		620-625nm	10,8W/m
FS-00520-G	Green - 5m adjustable		520-525nm	10,8W/m
FS-00465-B	Blue - 5m adjustable		465-470nm	10,8W/m

ACCESSORIES

Item no	Description
FS-18001	Silicon wire 200mm
FS-18002	Silicon endcap
FS-18003	RVS mounting clip
FS-18004	Mounting profile (1m)
F-18011	Silicon glue (45ml)

POWER SUPPLY CAPACITY 24V SERIES

Power Supplies	PP24200	PP24150	PP24100	PP2460	PP2430
	24VDC - 200W	24VDC - 150W	24VDC - 100W	24VDC - 60W	24VDC - 30W
All LucoFLEX Slim tubes (10,8W/m)	17m	12,5m	8m	5m	2,5m