



LUCOLINE30



- *The most reliable border tubing in the industry*
- *Long (> 80.000hrs) and maintenance-free life*
- *5 year extended warranty*
- *Adjustable lengths available, cuttable every 55mm*
- *Bright and consistent illumination*
- *Current sense circuit - patented safety device*
- *Safe to touch with zero shock risk*
- *Runs up to 90 meters on only one power supply*
- *Fast and easy installation*

LucoLINE has been used around the world to illuminate the properties of countless blue-chip customers. It's perfect for use in public access areas such as retail stores, clubs and pubs, restaurants, cinemas, service stations, supermarkets and casinos.

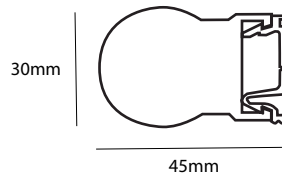
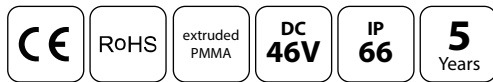
In fact, anywhere that a flexible, 100% safe product with a pure and even spread of light is needed.

Available in a wide range of colours, LucoLINE30 is an illuminated, extruded, 30mm diameter, acrylic tube that uses Light Emitting Diodes (LEDs) as its light source.

It's specifically designed for highlighting buildings, signage, displays and POS as a more reliable, robust, low power and long lasting alternative to neon/cold cathode glass tubes.

SPECIFICATIONS

- Dimensions:
30mm (W) x 45mm (H)
Lengths: 2.4m fixed, 2.4m adjustable, 1.2m adjustable
Cutttable every 55mm
- 5 year extended warranty
- Housing material in extruded PMMA composite
- Mounting clips in UV stabilized polycarbonate
- Mounting clip pull force >17kgs
- Mounting clip shear force >30kgs
- JST JWPF IP67 connectors
- Constant Current Technology
- Protection class IP66
- Operating temperature -30°C ~ +60°C

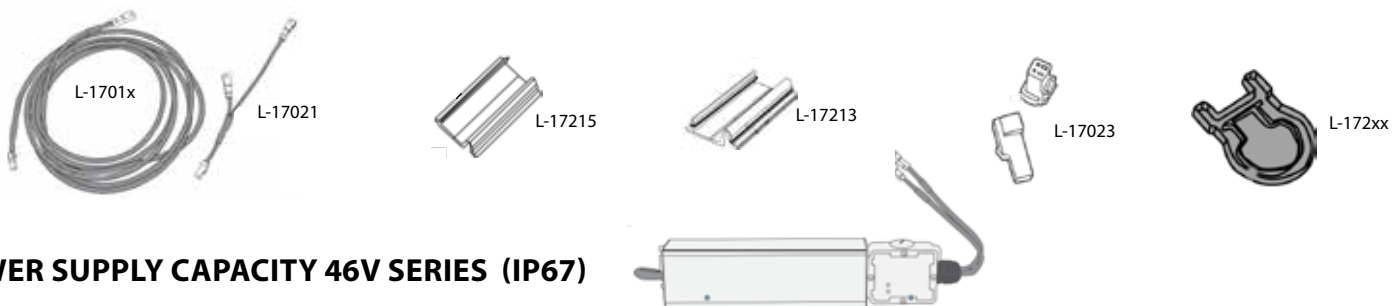


LUCOLINE30 TUBES

Item no	Description	Brightness	Daytime colour	NW/m
L-17563	Red - 2.4m fixed			
L-17564	Red - 2.4m adjustable	450cd/m2	PMS 1797	5.0W/m
L-17565	Red - 1.2m adjustable			
L-17420	Orange - 2.4m fixed			
L-17421	Orange - 2.4m adjustable	1200cd/m2	PMS 172	5.0W/m
L-17422	Orange - 1.2m adjustable			
L-17011	Yellow - 2.4m fixed			
L-17012	Yellow - 2.4m adjustable	1900cd/m2	PMS 116	5.0W/m
L-17013	Yellow - 1.2m adjustable			
L-17198	Amber - 2.4m fixed			
L-17197	Amber - 2.4m adjustable	1600cd/m2	PMS 7406	5.0W/m
L-17196	Amber - 1.2m adjustable			
L-17125	Light Green - 2.4m fixed			
L-17126	Light Green - 2.4m adjustable	300cd/m2	RAL 120 70 75	1.8W/m
L-17127	Light Green - 1.2m adjustable			
L-16996	Blue - 2.4m fixed			
L-16997	Blue - 2.4m adjustable	100cd/m2	PMS 280	5.0W/m
L-16998	Blue - 1.2m adjustable			
L-17008	White - 2.4m fixed			
L-17009	White - 2.4m adjustable	2250cd/m2	N/A	5.0W/m
L-17010	White - 1.2m adjustable			

ACCESSORIES

Item no	Description
L-17014	connection cable 1m
L-17015	connection cable 3m
L-17016	connection cable 5m
L-17017	connection cable 10m
L-17021	Y connector
L-17213	high friction mounting clip (10pcs)
L-17215	mounting clip (30pcs)
L-17023	blanking terminal
L-17205	amber end cap
L-17199	blue end cap
L-17200	light green end cap
L-17201	orange end cap
L-17202	red end cap
L-17203	white end cap
L-17204	yellow end cap
L-17053	field endcap glue



POWER SUPPLY CAPACITY 46V SERIES (IP67)

Power Supplies	L17018	L17019	L17020	L17081
LucoLINE30 colours	46VDC - 240W	46VDC - 96W	46VDC - 40W	46VDC - 20W
Light Green (1.8W/m)	2 x 45m	45m	20m	11m
Other colours (5.0W/m)	2 x 22m	18m	7m	4m