



LUCOLED BL35-RGBW

- *5 years warranty*
- *Lucolense wide beam technology*
- *High efficacy*
- *Constant Current Technology*

Lucoled Plus BL35-RGBW modules offer a high quality backlit solution for colour changing or custom colour channel letters and lightboxes with a depth of 80 – 250 mm.

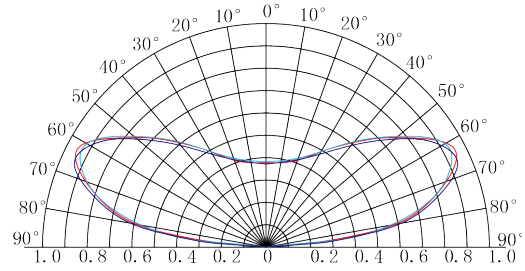
Using the latest 4-in-1 package RGBW technology the modules can create a true white, as it contains a separate white LED. By adding white to the RGB mix it is possible to accurately match any colour desired and make pastel and lighter colours more vibrant. The special optics provide optimal mixing of the individual colours and make it possible to use the modules in shallow applications.

Lucoled Plus BL35-RGBW can be controlled by all available control systems in the market, offering maximum flexibility for your projects.

SPECIFICATIONS

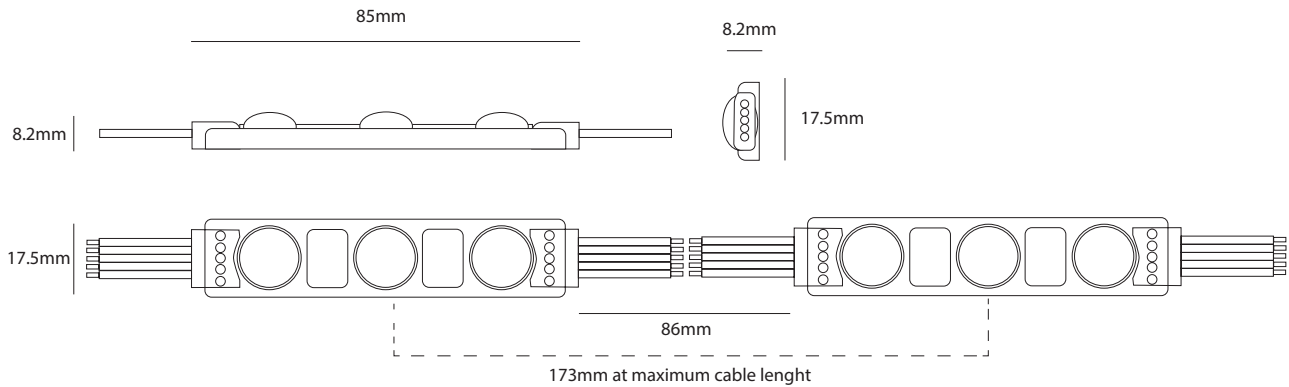
- Dimensions 85x17.5x8.2mm
- Warranty 5 years
- Beam angle: 160°
- Can be cut between every unit
- UL, CE and RoHS compliant
- Constant Current Technology
- Operating temperature -25~+60C

LUMINOUS INTENSITY DISTRIBUTION



Item no	LED colour	CT (K)	CRI	Power (W/mod)	Flux (lm/mod)	Voltage (DC)	Modules per chain	Modules per carton
BL35-RGBW	RGBW	RGBW (W=6500)	>75	0.96	R6 G22 B5 W20	12	20	800

DIMENSIONS



PACKAGING

Item	Qty (pcs/bag)	Qty (bag / carton)	Total Qty (pcs / carton)	Total weight (kgs)	Carton size (LxWxH) in mm
BL35-RGBW	100	8	800	12.0	420 x 390 x 180