



LUCOLED EL36



- *5 years warranty*
- *Lucolense narrow beam technology*
- *High efficacy*
- *Constant Current Technology*
- *Narrow white binning*
- *For illuminating 3m wide lightboxes*

Lucoled Edge Lighting EL36 modules offer a high quality and efficient solution for single-sided lightboxes with a depth of 100-120 mm and double-sided lightboxes with a depth of 125-180 mm, max. 3000 mm wide.

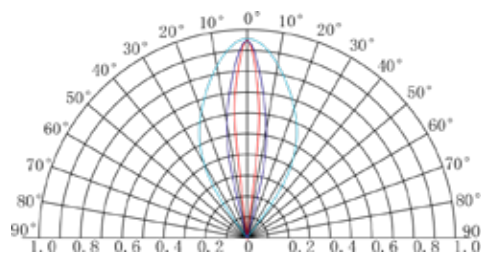
Lucoled EL36 uses patented light reflection technology to evenly illuminate single and double-sided large format light boxes. The licensed technology is based on the face being illuminated by over 70% indirect, internally reflecting, light transmitted by narrow beam flare lenses. The modules are mounted on the sides of the box, directing a beam of light at the opposite side.

EL36 is ideal for large size rectangular shaped signs. The individual modules are normally positioned on opposite sides on the longest side of the sign.

SPECIFICATIONS

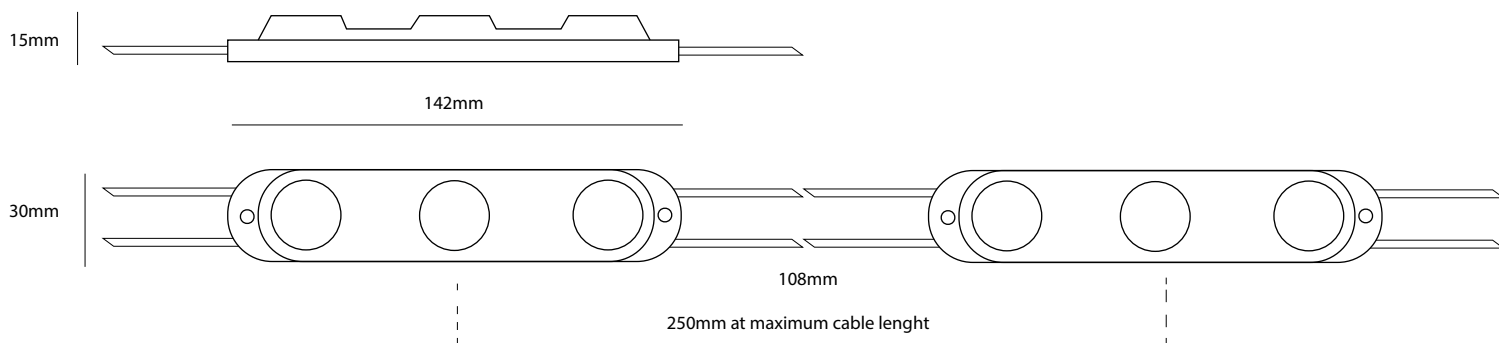
- Dimensions 142x30x15mm
- Warranty 5 years
- Beam angle: 10° * 40°
- Can be cut between every unit
- UL, CE and RoHS compliant
- Narrow white binning
- Constant Current Technology
- Operating temperature -25~+60C

LUMINOUS INTENSITY DISTRIBUTION



Item no	LED colour	CT (K)	CRI	Power (W/mod)	Flux (lm/mod)	Efficacy (lm/W)	Voltage (DC)	Modules per chain	Modules per carton
EL36-W65	white	6500	>75	6.5	800	123	24	15	150

DIMENSIONS

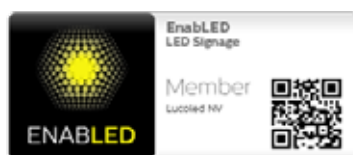


POWER SUPPLY CAPACITY 24V SERIES

Item	PP2430	PP2460	PP24100	PP24150	PP24200
Power Output	30W	60W	100W	150W	200W
EL36 modules / power supply	4	8	14	20	28
Number of chains (maximum 15 modules per chain)	1	1	1	1.5	1.9

PACKAGING

Item	Qty (pcs/ layer)	Qty (layer / carton)	Total Qty (pcs / carton)	Total weight (kgs)	Carton size (LxWxH) in mm
EL36	30	5	150	10,55	420x380x180



This product is licensed under the Signify (formerly Philips) EnabledLED Signage program when bought as a kit including power supply. The final product in which this kit is used will be covered by this license and free from further royalties.