



# LUCOFLEX RGB-SIDE BEND

- *Extremely flexible, UV stable, impact resistant and flame retardant silicon extrusion*
- *Protection class IP67*
- *4 year warranty*
- *Full color range with RGB controller*
- *Adjustable in length, cuttable every 50mm*
- *Interfaces with all automation and control systems*

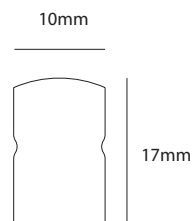
**LucoFLEX RGB** offers a high quality colour changeable, flexible, solution for contour lighting, cove lighting and any other application requiring a colour matched product.

LucoFLEX RGB-TB is a side bending flexible RGB product. LucoFLEX RGB is designed for outdoor use, using solder connections and sealed silicon endcaps. It offers a spotless, bright effect. Even visible in daylight circumstances. Lucoflex RGB-SB can be used for outdoor, colour changing, neon-like signage or accents.

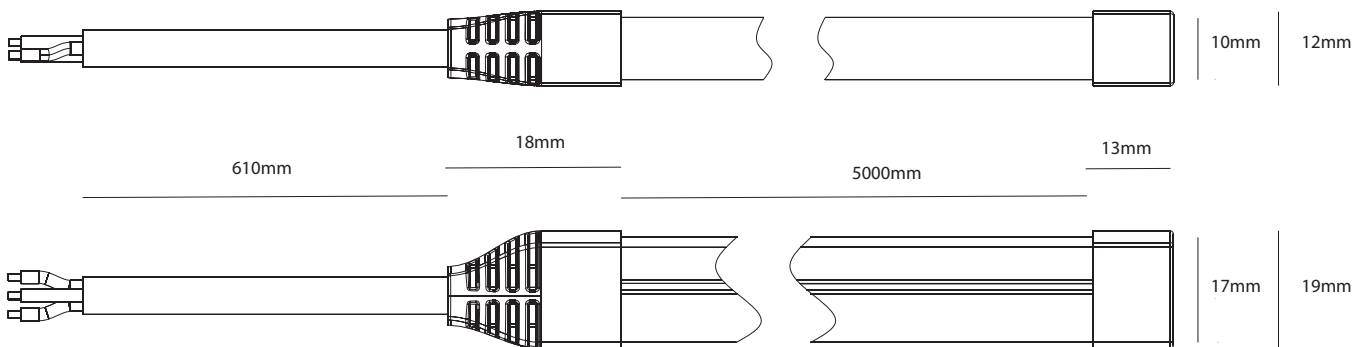
LucoFLEX RGB can be controlled by all available control systems in the market, offering maximum flexibility for your projects.

## SPECIFICATIONS

- Dimensions:  
10mm (W) x 17mm (H)  
Lengths of 5m  
Cutttable every 50mm
- UV stable, impact resistant and flame retardant silicon extrusion
- 4 year warranty
- In-field side bend of 15mm
- UL, CE and RoHS compliant
- Constant Current Technology
- Power per meter: 17.3W/m (RGB all on)
- Protection class IP67
- Operating temperature -25°C ~ +70°C



## DIMENSIONS



## LUCOFLEX RGB SIDE-BEND TUBES & ACCESSORIES

Item no	Description
F-RGB-SB	RGB Side Bend - 5m adjustable
F-RGB-SB-PCIS	RGB Side Bend power supply connection set
F-RGB-SP-EC	RGB Side Bend end caps
F-RGB-SB-CLIPS	RGB Side Bend Plastic mounting clips
F-RGB-SB-ACS	RGB Side Bend Aluminium mounting clips
F-RGB-SB-ACL	RGB Side Bend 1m mounting profile

## POWER SUPPLY CAPACITY 24V SERIES

Power Supplies	PP24200	PP24150	PP24100
	24VDC - 200W	24VDC - 150W	24VDC - 100W
Lucoflex RGB (17.3W/m if RGB all full on)	10m	8m	5m