

Paprika

LUCOLED VR20



- *5 years warranty*
- *Lucolense wide angle technology*
- *Medium efficacy*
- *Constant Current Technology*
- *Narrow white binning*

Lucoled Value Range VR20 modules offer a high quality and efficient backlit solution for lightboxes and channel letters between 80 and 120mm deep.

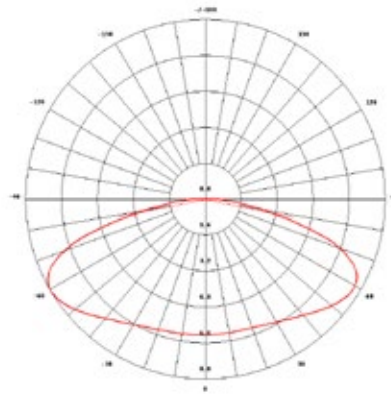
Lucoled VR series use medium efficiency LED's, optics and high quality components, resulting in a reliable, efficient, fit-for-purpose, solution for your every-day sign projects.

Lucoled VR series offer an excellent price-performance ratio and a 5 year warranty.

SPECIFICATIONS

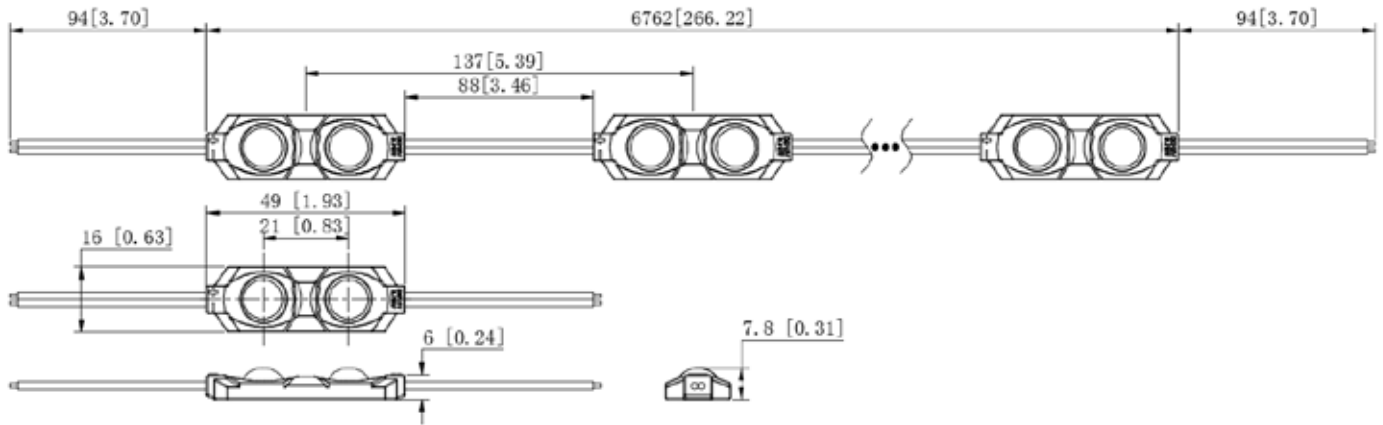
- Dimensions 49x16x7.8mm
- Warranty 5 years
- Beam angle: 160°
- Can be cut between every unit
- EL, CE and RoHS compliant
- Narrow white binning
- Constant Current Technology
- Operating temperature -25~+60°C

LUMINOUS INTENSITY DISTRIBUTION

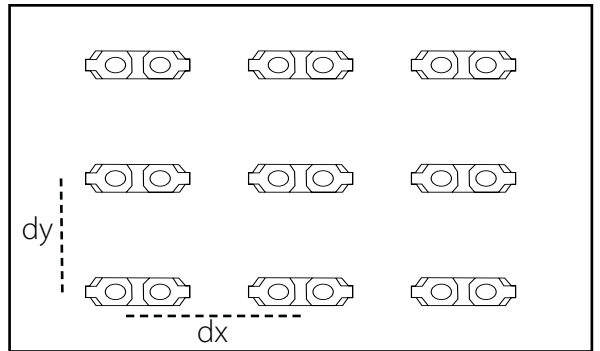


Item no	LED colour	CT (K)	CRI	Power (W/mod)	Flux (lm/mod)	Efficacy (lm/W)	Voltage (DC)	Modules per chain	Modules per carton
VR20-W65	white	6500	>75	0.72	93	129	12	50	1400

DIMENSIONS



Light box depth (mm)	Space between modules (mm)	Installing density (pcs/m ²)	Surface luminance range (cd/m ²)
dz=80	dx=110, dy=90	99	1760-1975
dz=100	dx=135, dy=110	63	1450-1560
dz=120	dx=135, dy=135	49	1195-1350



Results may vary depending on face material properties. The data above was obtained using 3mm thick opaque acrylic with a 54% light transmittance. Lucoled advises to paint the inside of the box/ letters in a matt white colour for achieving an optimal result. Always test before production.

POWER SUPPLY CAPACITY 12V SERIES

Item	PP1230	PP1260	PP12100	PP12150	PP12200
Power Output	30W	60W	100W	150W	200W
VR20 modules / power supply	38	75	125	188	250
Number of chains (maximum 40 modules per chain)	1	1	3	4	6

PACKAGING

Item	Qty (pcs/bag)	Qty (bag / carton)	Total Qty (pcs / carton)	Total weight (kg)	Carton size (LxWxH) in mm
VR20	50	28	1400	11.2	528 x 376 x 272