



# Domino's

## LUCOLED VR30



- *5 years warranty*
- *Lucolense wide angle technology*
- *Medium efficacy*
- *Constant Current Technology*
- *Narrow white binning*

**Lucoled Value Range VR30 modules** offer a high quality and efficient backlit solution for lightboxes and channel letters between 80 and 120mm deep.

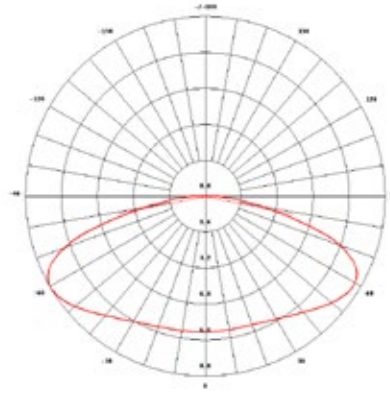
Lucoled VR series use medium efficiency LED's, optics and high quality components, resulting in a reliable, efficient, fit-for-purpose, solution for your every-day sign projects.

Lucoled VR series offer an excellent price-performance ratio and a 5 year warranty.

## SPECIFICATIONS

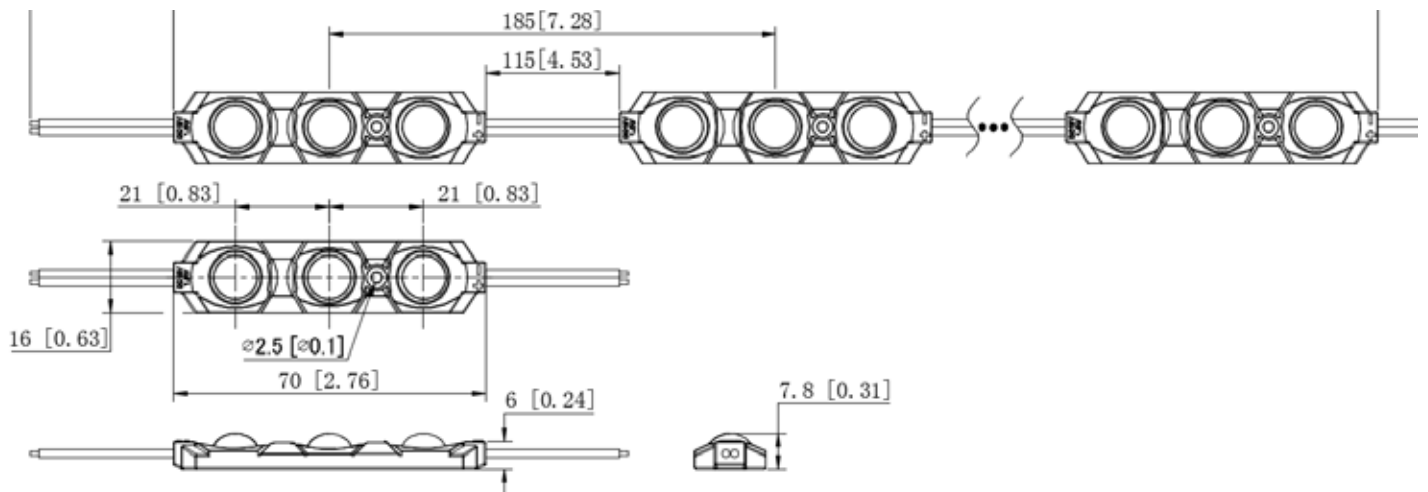
- Dimensions 70x16x7.8mm
- Warranty 5 years
- Beam angle: 160°
- Can be cut between every unit
- EL, CE and RoHS compliant
- Narrow white binning
- Constant Current Technology
- Operating temperature -25~+60°C

## LUMINOUS INTENSITY DISTRIBUTION

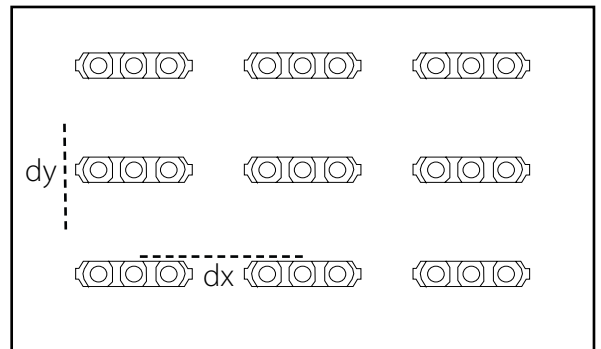


| Item no  | LED colour | CT (K) or nm | CRI | Power (W/mod) | Flux (lm/mod) | Efficacy (lm/W) | Voltage (DC) | Modules per chain | Modules per carton |
|----------|------------|--------------|-----|---------------|---------------|-----------------|--------------|-------------------|--------------------|
| VR30-W65 | white      | 6500         | >75 | 1.0           | 128           | 128             | 12           | 50                | 1200               |
| VR30-R   | red        | 620-625nm    | -   | 0.72          | 27            | 38              | 12           | 50                | 1200               |
| VR30-G   | green      | 525-530nm    | -   | 0.72          | 53            | 74              | 12           | 50                | 1200               |
| VR30-B   | blue       | 465-470nm    | -   | 0.72          | 10            | 14              | 12           | 50                | 1200               |
| VR30-Y   | yellow     | 585-590nm    | -   | 0.72          | 23            | 32              | 12           | 50                | 1200               |
| VR30-O   | orange     | 605-610nm    | -   | 0.72          | 27            | 38              | 12           | 50                | 1200               |

## DIMENSIONS



| Light box depth (mm) | Space between modules (mm) | Installing density (pcs/m <sup>2</sup> ) | Surface luminance range (cd/m <sup>2</sup> ) |
|----------------------|----------------------------|--|--|
| dz=80                | dx=100, dy=90              | 90                                       | 2440-2900                                    |
| dz=100               | dx=130, dy=120             | 56                                       | 1760-2080                                    |
| dz=120               | dx=185, dy=140             | 35                                       | 1190-1400                                    |



Results may vary depending on face material properties. The data above was obtained using 3mm thick opaque acrylic with a 54% light transmittance. Lucoled advises to paint the inside of the box/ letters in a matt white colour for achieving an optimal result. Always test before production.

## POWER SUPPLY CAPACITY 12V SERIES

| Item  | PP1230   | PP1260    | PP12100    | PP12150    | PP12200    |
|---|----------|-----------|------------|------------|------------|
| Power Output                                    | 30W      | 60W       | 100W       | 150W       | 200W       |
| VR30-W65 modules per power supply               | 27       | 54        | 90         | 135        | 180        |
| VR30-R/G/B/Y modules per power supply           | 37       | 75        | 125        | 187        | 225        |
| Number of chains (maximum 30 modules per chain) | 1W/1RGBY | 1 W/2RGBY | 2 W/3 RGBY | 4 W/6 RGBY | 6 W/7 RGBY |

## PACKAGING

| Item | Qty (pcs/bag) | Qty (bag / carton) | Total Qty (pcs / carton) | Total weight (kg) | Carton size (LxWxH) in mm |
|------|---------------|--------------------|--------------------------|-------------------|---------------------------|
| VR30 | 50            | 24                 | 1200                     | 14.5              | 528 x 376 x 272           |