



LUCOLED BLE



- *IP67 for outdoor use*
- *Silicone potted PCB in aluminium profile*
- *5 years warranty. 2 years extended*
- *Lucolense prismatic flat beam technology*
- *IP67 JST connectors and cable system*
- *RVS mounting clips*
- *High efficacy*
- *Constant Current Technology*
- *Fast, plug-and-play, installation*
- *Fast on-site retrofit solution*

Lucoled BLE LED bars offer a high quality and efficient backlit solution for outdoor lightboxes down to 40 mm deep.

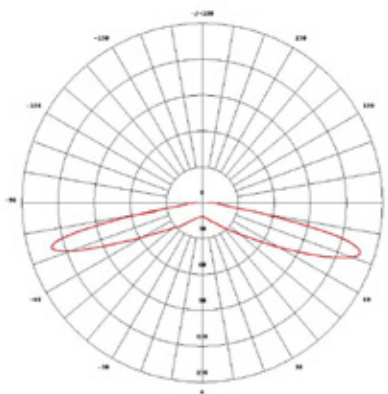
The BLE series comes in 2 lengths. The whole system is equipped with IP67 JST connectors and comes with a range of plug-and-play cable options for easy and fast installation. Especially in retrofit applications replacing traditional light sources.

SPECIFICATIONS

- 2835 SMD LED with long life and low attenuation
- Easy installation with JST connectors and cable system, plug and play.
- Installs in RVS mounting clips. (included)
- Warranty 5 years
- Beam angle: 170°
- UL, CE and RoHS compliant
- Narrow white binning
- Constant Current Technology
- Operating temperature -25~+60C



LUMINOUS INTENSITY DISTRIBUTION



Item no	LED colour	CT (K)	CRI	Power (W/mod)	Flux (lm/mod)	Efficacy (lm/W)	Voltage (DC)	Modules in series	Modules per carton
BLE60-W65	white	6500	>70	3.1	372	120	24	max 8	80
BLE120-W65	white	6500	>70	6.5	756	120	24	max 4	128

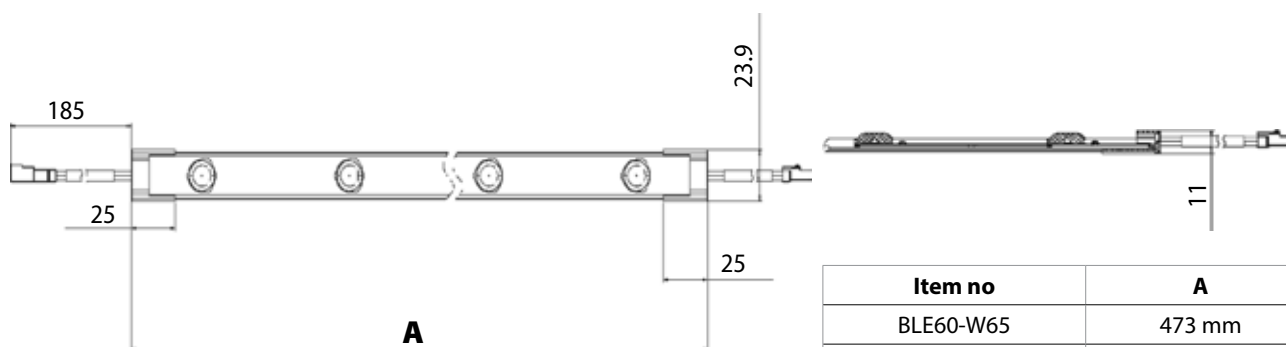
ACCESSORIES

Item no	Description
L-CAB-M-500	Connection Cable Male
L-CAB-F-500	Connection Cable Female
L-CON-Y-FFM	Y-Connector, 1 male and 2 female connectors

Item no	Description
L-CAB-1.0	1 m extension cable
L-CAB-3.0	3 m extension cable
L-CAB-5.0	5 m extension cable

Item no	Description
L-CON-BNK-M	Blanking Connector Male
L-CON-BNK-F	Blanking Connector Female

DIMENSIONS



Item no	A
BLE60-W65	473 mm
BLE120-W65	973 mm

Light box depth (mm)	row distance (mm)
40 - 60mm	80mm
60 - 80mm	90mm
80 - 100mm	>100mm

Results may vary depending on face material properties. The data above was obtained using 3mm thick opaque acrylic with a 54% light transmittance. Lucoled advises to paint the inside of the box/letters in a matt white colour for achieving an optimal result. Always test before production.

POWER SUPPLY CAPACITY 24V SERIES

Item	PP2430	PP2460	PP24100	PP24150	PP24200
Power Output	30W	60W	100W	150W	200W
BLE 60 modules / power supply	10	20	34	52	69
BLE120 modules / power supply	4	9	15	22	30

PACKAGING

Item	Qty (pcs/bag)	Qty (bags / carton)	Total Qty (pcs / carton)	Total weight (kg)	Carton size (LxWxH) in mm
BLE60-W65	16	8	128	15.8	570x264x280
BLE120-W65	16	5	80	18.4	1070x264x216