



LUCOLED DS80/OS80



- *5 years warranty*
- *Lucolense prismatic flat beam technology*
- *High efficacy*
- *Constant Current Technology*
- *Narrow white binning*
- *Easy installation*

Lucoled DS80 offers a high quality and efficient back lighting solution for double sided lightboxes and pylons.

Lucoled OS80 offers a high quality and efficient back lighting solution for single sided lightboxes and pylons.

The DS80 and OS80 are installed in an aluminium mounting profile that is mounted into the sign by easy to install mounting clips. The mounting profile can be cut to size and comes in 3 standard lengths.

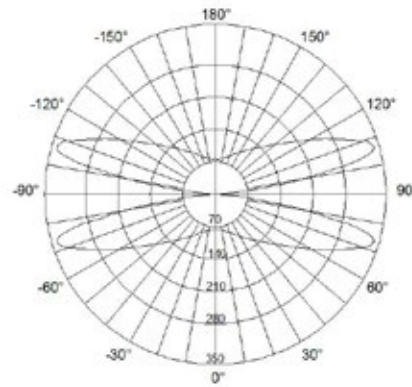
The DS80 and OS80 have an industry leading efficiency of 165 lumen per Watt. In a typical pylon they can be installed with 400 mm row and module spacing due to the use of flat beam prism lenses. This reduces the energy consumption to less than 22 Watt per square meter per side. Still offering almost 3.600 lumen per square meter per side.

SPECIFICATIONS

- Dimensions 155x38x11 mm
- Warranty 5 years
- Beam angle: 170°
- Can be cut between every unit
- UL, CE and RoHS compliant
- Narrow white binning
- Constant Current Technology
- Operating temperature -25~+60C
- Easy installation using aluminium profiles and clips



LUMINOUS INTENSITY DISTRIBUTION

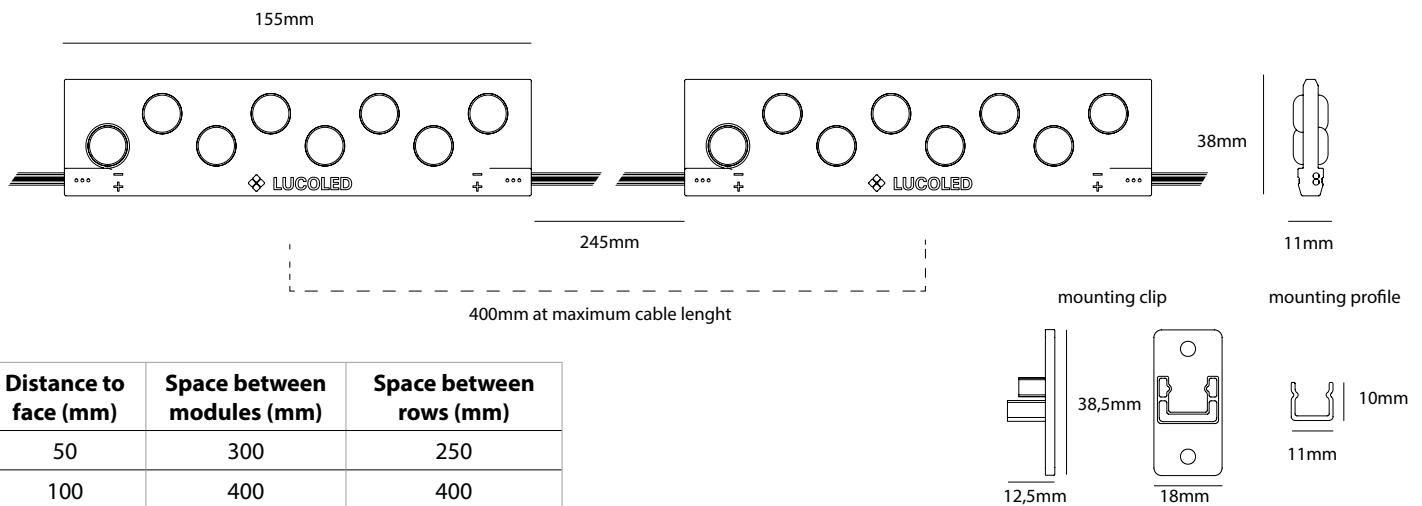


Item no	LED colour	CT (K)	CRI	Power (W/mod)	Flux (lm/mod)	Efficacy (lm/W)	Voltage (DC)	Modules in series	Modules per carton
DS80-W65	white	6500	>70	4.8	792	165	24	20	400
OS80-W65	white	6500	>70	2.4	396	165	24	40	400

ACCESSORIES

Item no	Description
DS-MC	DS mounting clip, bag of 100
DS-MP-100	DS mounting profile, 1m, bag of 10
DS-MP-200	DS mounting profile, 2m, bag of 10
DS-MP-300	DS mounting profile, 3m, bag of 10

DIMENSIONS



Distance to face (mm)	Space between modules (mm)	Space between rows (mm)
50	300	250
100	400	400
150	350	450
200	300	450

POWER SUPPLY CAPACITY 24V SERIES

Item	PP2460	PP24100	PP24150	PP24200
Power Output	60W	100W	150W	200W
DS80 modules / power supply (Max 20 per chain)	12	18	28	36
OS80 modules / power supply (Max 40 per chain)	24	36	56	72

PACKAGING

Item	Qty (pcs/bag)	Qty (bags / carton)	Total Qty (pcs / carton)	Total weight (kg)	Carton size (LxWxH) in mm
DS80/OS80	20	20	400	25.6/13.0	528x376x272