



LUCOLED BL36-RGBW



- *5 years warranty*
- *Lucolense wide beam technology*
- *RGBW True white technology*

Lucoled Plus BL36-RGBW modules offer a high quality backlit solution for colour changing or custom colour channel letters and lightboxes with a depth of 80 – 250 mm.

Using the latest 4-in-1 package RGBW technology the modules can create a true white, as it contains a separate white LED. By adding white to the RGB mix it is possible to accurately match any colour desired and make pastel and lighter colours more vibrant. The special optics provide optimal mixing of the individual colours and make it possible to use the modules in shallow applications.

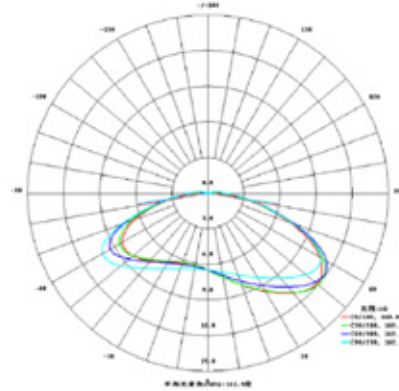
Lucoled Plus BL36-RGBW can be controlled by all available control systems in the market, offering maximum flexibility for your projects.

SPECIFICATIONS

- Dimensions 78x178x11mm
- Warranty 5 years
- Beam angle: 160°
- Can be cut between every unit
- UL, CE and RoHS compliant
- Constant Current Technology
- Operating temperature -25°~+60°C
- R = 625 nm, G = 525 nm, B = 470 nm
- W = 6500K

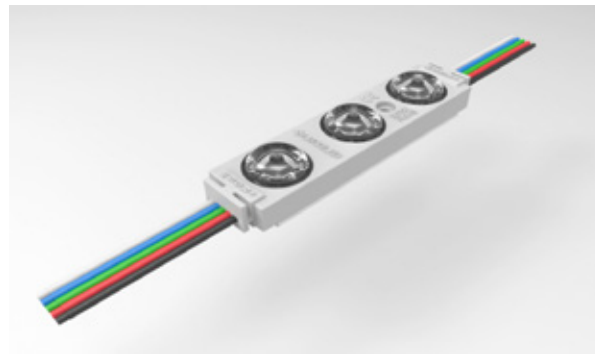
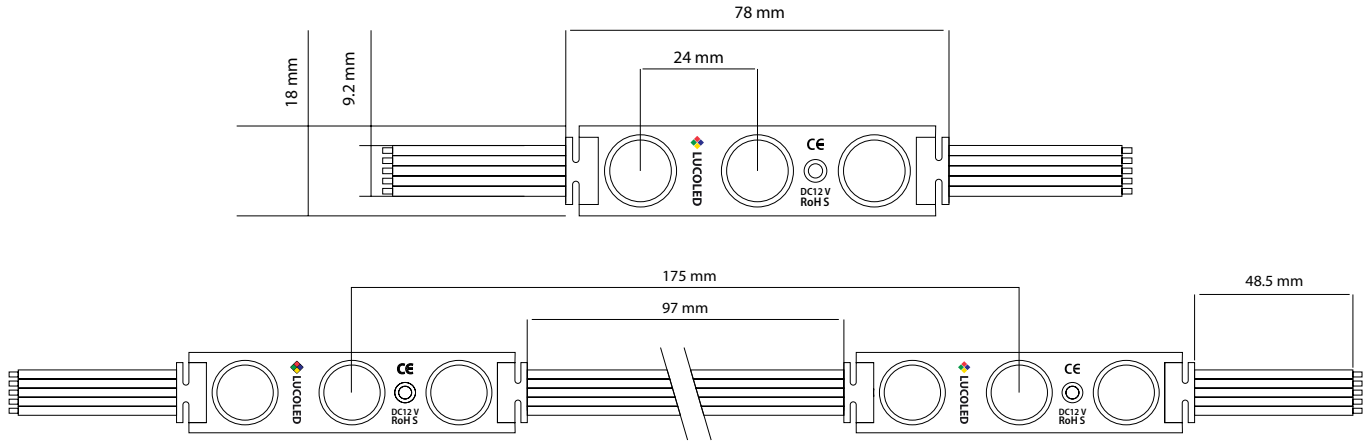


LUMINOUS INTENSITY DISTRIBUTION



Item no	LED colour	CT (K)	CRI	Power (W/mod)	Flux (lm/mod)	Voltage (DC)	Modules per chain	Modules per carton
BL36-RGBW	RGBW	RGBW (W=6500)	>75	1.02 (RGBW on)	R8 G16 B4 W26	12	20	640

DIMENSIONS



POWER SUPPLY CAPACITY 12V SERIES

Item	PP1230	PP1260	PP12100	PP12150	PP12200
Power Output	30W	60W	100W	150W	200W
BL36 modules / power supply (RGBW all on)	27	54	90	135	180
Maximum 20 modules per chain					

PACKAGING

Item	Qty (pcs/bag)	Qty (bag / carton)	Total Qty (pcs / carton)	Total weight (kg)	Carton size (LxWxH) in mm
BL35-RGBW	40	16	640	16.1	528x 378 x 272