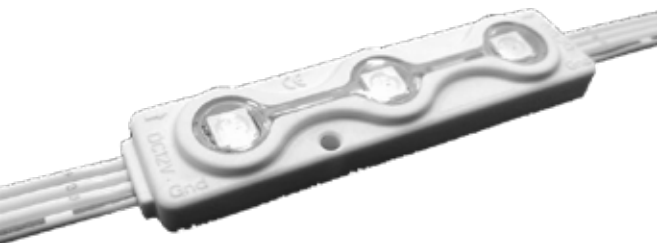




LUCOLED BL37-RGBDC



- *5 years warranty*
- *RGB Dot Controllable (SPI)*
- *Control IC: WS2811 (UCS512B3)*

Lucoled Plus BL37-RGBDC modules offer a high quality dynamic backlit solution for colour changing or custom colour channel letters and lightboxes with a depth of 100 – 250 mm.

The BL37-RGBDC modules can be individually controlled. This way dynamic lightboxes or logo's can be created with animated effects or even low resolution video.

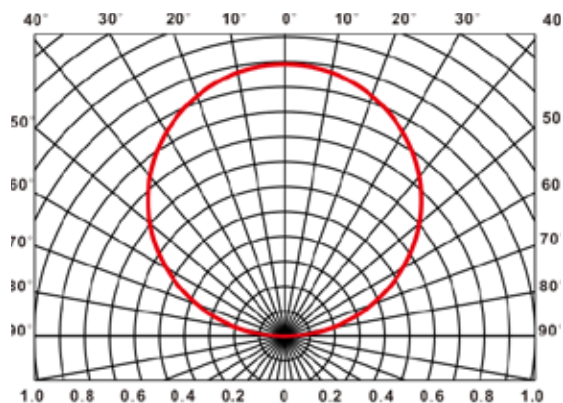
Lucoled Plus BL37-RGBDC can be controlled by many industry standard DMX/SPI control systems in the market, offering maximum flexibility for your projects.

SPECIFICATIONS

- Dimensions 67x16x8mm
- Warranty 5 years
- Beam angle: 120°
- Can be cut between every unit
- UL, CE and RoHS compliant
- SPI(DMX512) control IC WS2811
- Operating temperature -25°~+55°C
- R = 620 nm, G = 510 nm, B = 460 nm

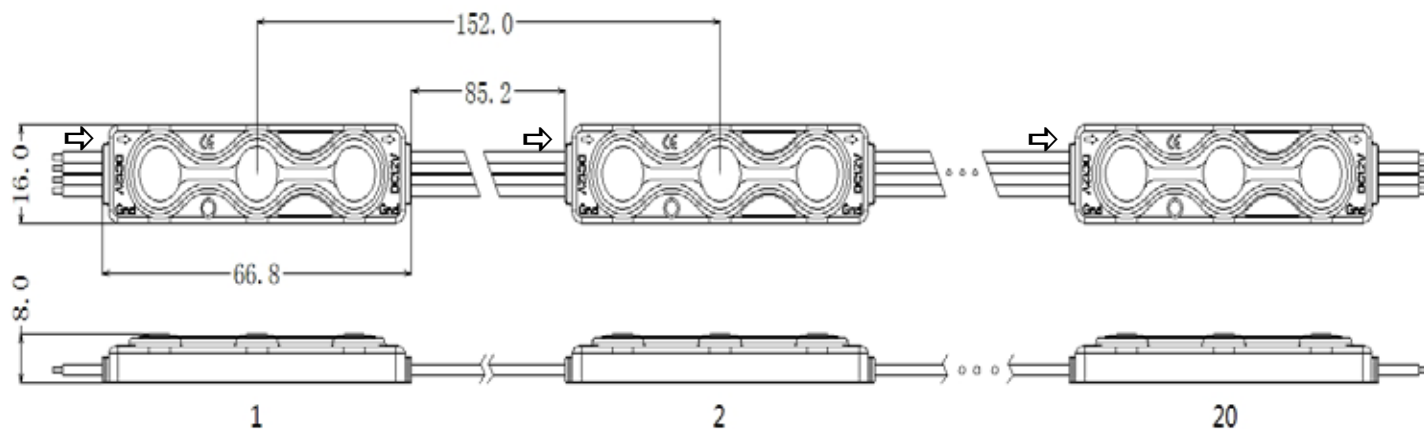


LUMINOUS INTENSITY DISTRIBUTION



Item no	LED colour	CT (K)	CRI	Power (W/mod)	Flux (lm/mod)	Voltage (DC)	Modules per chain	Modules per carton
BL37-RGBDC	RGB	-	-	0.72 W (RGB on)	R6 G16 B4	12	20	1280

DIMENSIONS



POWER SUPPLY CAPACITY 12V SERIES

Item	PP1230	PP1260	PP12100	PP12150	PP12200
Power Output	30W	60W	100W	150W	200W
BL37 modules / power supply (RGB all on)	37	74	125	187	250
Maximum 20 modules per chain					

PACKAGING

Item	Qty (pcs/bag)	Qty (bag / carton)	Total Qty (pcs / carton)	Total weight (kg)	Carton size (LxWxH) in mm
BL37-RGBDC	80	16	1280	16.6	528x 378 x 272