



LUCOLED EL31



- *5 years warranty*
First 2 years extended warranty
- *Lucolense narrow beam technology*
- *High efficacy*
- *Constant Current Technology*
- *Narrow white binning*

Lucoled Edge Lighting EL31 modules offer a high quality and efficient solution for single-sided lightboxes with a depth of 50-100 mm and double-sided lightboxes with a depth of 100-150 mm, max. 1000 mm wide.

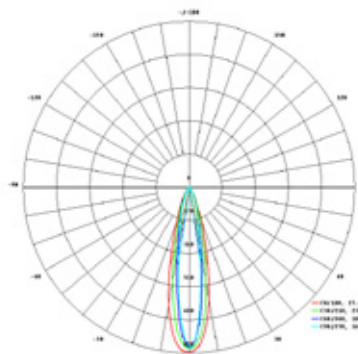
Lucoled EL31 uses patented light reflection technology to evenly illuminate single and double-sided medium size light boxes and signs. The licensed technology is based on the face being illuminated by over 70% indirect, internally reflecting, light transmitted by narrow beam flare lenses. The modules are mounted on the sides of the box, directing a beam of light at the opposite side. The reflecting light evenly illuminates the face.

EL31 is ideal for medium size rectangular shaped signs. The individual modules are normally positioned on opposite sides on the longest side of the sign.

SPECIFICATIONS

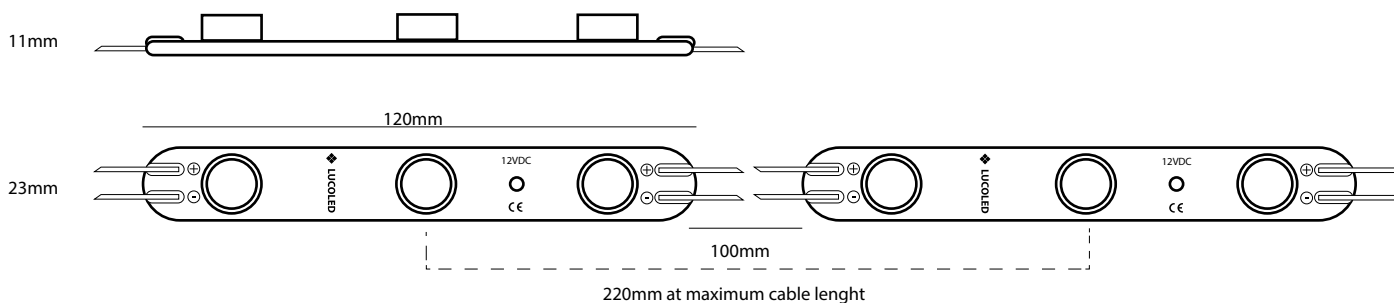
- Dimensions 120x23x11mm
- Warranty 5 years (first 2 years extended)
- Beam angle: 18° * 25°
- Can be cut between every unit
- UL, CE and RoHS compliant
- Narrow white binning
- Constant Current Technology
- Operating temperature -25~+60C

LUMINOUS INTENSITY DISTRIBUTION



| Item no | LED colour | CT (K) | CRI | Power (W/mod) | Flux (lm/mod) | Efficacy (lm/W) | Voltage (DC) | Modules per chain | Models per carton |
|----------|------------|--------|-----|---------------|---------------|-----------------|--------------|-------------------|-------------------|
| EL31-W30 | white | 3000 | >70 | 2.88 | 327 | 114 | 12 | 20 | 480 |
| EL31-W40 | white | 4000 | >70 | 2.88 | 327 | 114 | 12 | 20 | 480 |
| EL31-W65 | white | 6500 | >70 | 2.88 | 327 | 114 | 12 | 20 | 480 |

DIMENSIONS

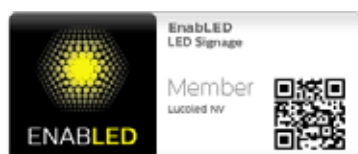


POWER SUPPLY CAPACITY 12V SERIES

| Item | PP1230 | PP1260 | PP12100 | PP12150 | PP12200 |
|-------------------------------------|--------|--------|---------|---------|---------|
| Power Output | 30W | 60W | 100W | 150W | 200W |
| EL31 modules / power supply | 9 | 18 | 31 | 46 | 62 |
| Maximum 20 modules per chain | | | | | |

PACKAGING

| Item | Qty (pcs/bag) | Qty (bag / carton) | Total Qty (pcs / carton) | Total weight (kg) | Carton size (LxWxH) in mm |
|------|---------------|--------------------|--------------------------|-------------------|---------------------------|
| EL31 | 60 | 8 | 480 | 14,7 | 528 x 376 x 272 |



This product is licensed under the Signify (formerly Philips) EnabLED Signage program when bought as a kit including power supply. The final product in which this kit is used will be covered by this license and free from further royalties.