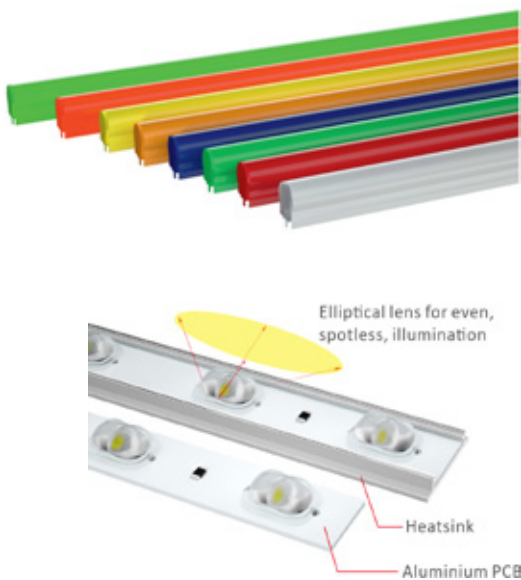




Lucoline®



- *The most innovative border tubing in the industry*
- *5 year extended warranty*
- *All lengths available, cuttable every 55mm*
- *Bright and consistent illumination with optics*
- *Silicone coated PCB*
- *Condensation proof design with breather filter*
- *PMMA (UL94-HB)*
- *Runs up to 40 meters on only one power supply*
- *RGB version*
- *Custom colours possible*
- *Fast and easy installation*

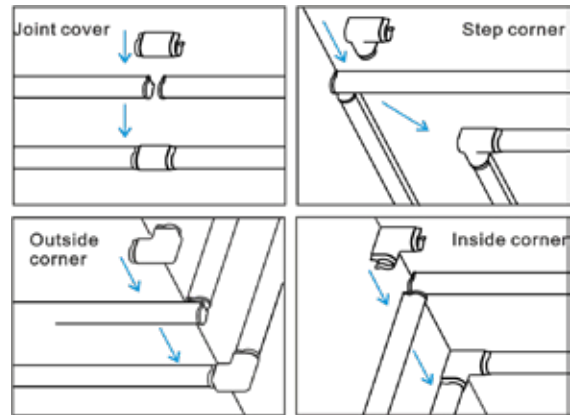
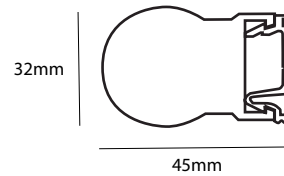
Lucoline® is the most suitable product for architectural accents on buildings, petrol sites and retail outlets. It has been completely redesigned to incorporate the latest LED, optics and production technology. Using silicone coated aluminium core PCB's, advanced optics, IP67 connections. Lucoline is the highest quality product, most reliable, on market today

It is available in a range of standard colours but also in RGB.

It is easy to install, every section is cuttable and can be resealed easy. The cut piece can be reused.

SPECIFICATIONS

- Dimensions:
32mm (W) x 45mm (H)
Lengths: 2370mm, 1186mm, 600mm (x)
Cutttable every 55mm, RGB 145 mm
- 5 year extended warranty
- Housing material in extruded PMMA
- Mounting clips in UV stabilized polycarbonate
- Mounting clip pull force >17kgs
- Mounting clip shear force >30kgs
- JST JWPF IP67 connectors
- Constant Current Technology
- Protection class IP67
- Breather filter preventing condensation
- Operating temperature -30°C ~ +60°C



Lucoline® TUBES

| Item no | Description | Brightness | W/m |
|---------|----------------------------|---|--------|
| L-B-x | PMS 285C Blue | 450cd/m ² | 5.0W/m |
| L-LG-x | PMS 7488C Light Green | 800cd/m ² | 5.0W/m |
| L-G-x | PMS 348 Dark Green | 270cd/m ² | 5.0W/m |
| L-LY-x | PMS 116C Lemon Yellow | 1350cd/m ² | 5.0W/m |
| L-Y-x | PMS 2010C Yellow | 1500cd/m ² | 5.0W/m |
| L-O-x | PMS 172C Orange | 670cd/m ² | 5.0W/m |
| L-RR-x | PMS 1797C Red, Red LED | 400cd/m ² | 5.0W/m |
| L-R-x | PMS 1797C Red, White LED | 320cd/m ² | 5.0W/m |
| L-P-x | PMS 235 Purple | 500cd/m ² | 5.0W/m |
| L-W-x | RAL 9016 White, 6500K | 2000cd/m ² | 5.0W/m |
| L-WW-x | RAL 9016 Warm White, 3000K | 1400cd/m ² | 5.0W/m |
| L-RGB-x | RGB | R=300cd/m ² G=780cd/m ² B=180cd/m ² W=1240cd/m ² | 5.8W/m |

ACCESSORIES

| Item no | Description |
|-------------------|---|
| L-CLIP-S | Mounting Clip Sliding |
| L-CLIP-F | Mounting Clip Fixed |
| L-c-JNT | Joint Cover |
| L-c-CRN-STP | Step Corner |
| L-c-CRN-OUT | Outside Corner |
| L-c-CRN-INS | Inside Corner |
| L-c-END | Endcap |
| c = colour | |
| L-CAB-Y-1.5 | Power Supply Y Connection Cable, 1.5 m, male and female connector |
| L-CAB-1.0 | 1 m extension cable |
| L-CAB-3.0 | 3 m extension cable |
| L-CAB-5.0 | 5 m extension cable |
| L-CON-Y | Y-Connector, 1 male and 2 female connectors |
| L-CON-BNK-M | Blanking Connector Male |
| L-CON-BNK-F | Blanking Connector Female |

POWER SUPPLY CAPACITY 24V SERIES

| Item | PP2460 | PP24100 | PP24150 | PP24200 |
|--------------------------------|--------|---------|---------|---------|
| Power Output | 60W | 100W | 150W | 200W |
| All Lucoline® colours (5.0W/m) | 11m | 19m | 28m | 38m |

Maximum number of lengths in series: 4 x 2370 per leg of connection cable, 8 x 2370 per cable

Electrical layout example.

