



## LUCOLED PR20



- *7 years warranty*
- *First 2 years extended warranty*
- *Prismatic Flat Beam technology*
- *Industry leading efficacy*
- *Constant Current Technology*
- *Narrow white binning*

**Lucoled Premium PR20 modules** offer a high quality and efficient backlit solution for lightboxes and channel letters between 40 and 200mm deep.

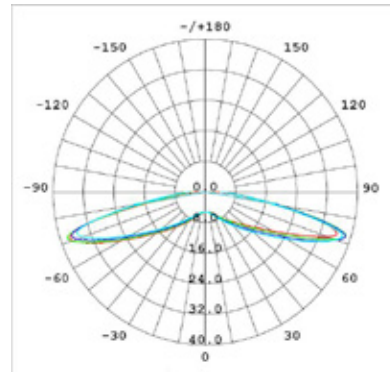
Using the latest Top-Tier LED technology and prismatic flat beam optics Lucoled Premium series offers industry leading efficacy and coverage. This not only reduces the amount of modules needed for an application, but also the overall power consumption, reducing the total cost of ownership of a project.

Lucoled Premium series offers a 2 years extended warranty, making it the optimum choice for your high valued projects and critical installations. Your warranty exposure is reduced to a minimum.

## SPECIFICATIONS

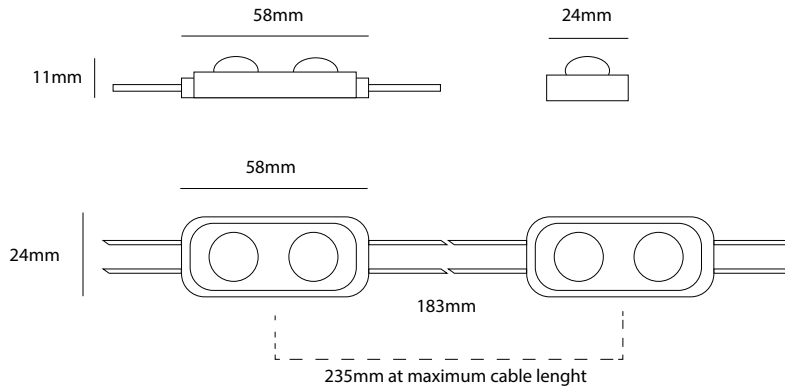
- Dimensions 58x24x11mm
- Warranty 7 years (first 2 years extended)
- Beam angle: 160°
- Can be cut between every unit
- UL, CE and RoHS compliant
- Narrow white binning
- Constant Current Technology
- Operating temperature -40~+60C

## LUMINOUS INTENSITY DISTRIBUTION



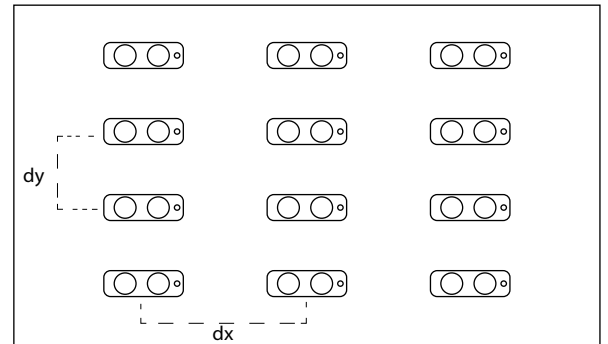
Item no	LED colour	CT (K)/nm	CRI	Power (W/mod)	Flux (lm/mod)	Efficacy (lm/W)	Voltage (DC)	Modules per chain	Modules per carton
PR20-W40	white	4000	>70	0.8	120	150	12	40	480
PR20-W50	white	5000	>70	0.8	120	150	12	40	480
PR20-W70	white	7000	>70	0.8	120	150	12	40	480
PR20-R	red	600-625 nm		0.72	31	43	12	40	480

## DIMENSIONS



Light box depth (mm)	Space between modules (mm)	Installing density (pcs/m <sup>2</sup> )	Surface luminance range (cd/m <sup>2</sup> )
dz=60	dx=150, dy=150	43	1315-1840
dz=80	dx=178, dy=180	30	745-915
dz=100	dx=178, dy=240	22	525-840

Results may vary depending on face material properties. The data above was obtained using 3mm thick opaque acrylic with a 54% light transmittance. Lucoled advises to paint the inside of the box/letters in a matt white colour for achieving an optimal result. Always test before production.



## POWER SUPPLY CAPACITY 12V SERIES

Item	PP1230	PP1260	PP12100	PP12150	PP12200
Power Output	30W	60W	100W	150W	200W
PR20 modules / power supply	34	68	113	169	225
<b>Maximum 40 modules per chain</b>					

## PACKAGING

Item	Qty (pcs/bag)	Qty (bag / carton)	Total Qty (pcs / carton)	Total weight (kg)	Carton size (LxWxH) in mm
PR20	40	12	480	10,2	528 x 376 x 272