

## LC-DMX-4CH-WP RDM Enabled Waterproof DMX Controller

- Standard DMX512 compliant control interface
- RDM function enabled to realize intercommunication between DMX master and decoder.
- For example, DMX decoder's address can be assigned by DMX master console
- With digital display to show data directly, easily to set and show DMX address.
- Total 4 PWM output channels, common anode, 5A per channel
- DMX address manually settable
- DMX channel quantity from 1CH~4CH settable
- Output PWM frequency from 200HZ ~ 35K HZ settable.
- Output dimming curve gamma value from 0.1 ~ 9.9 settable
- To work with power repeater to expand output power unlimitedly.
- Waterproof grade:IP67

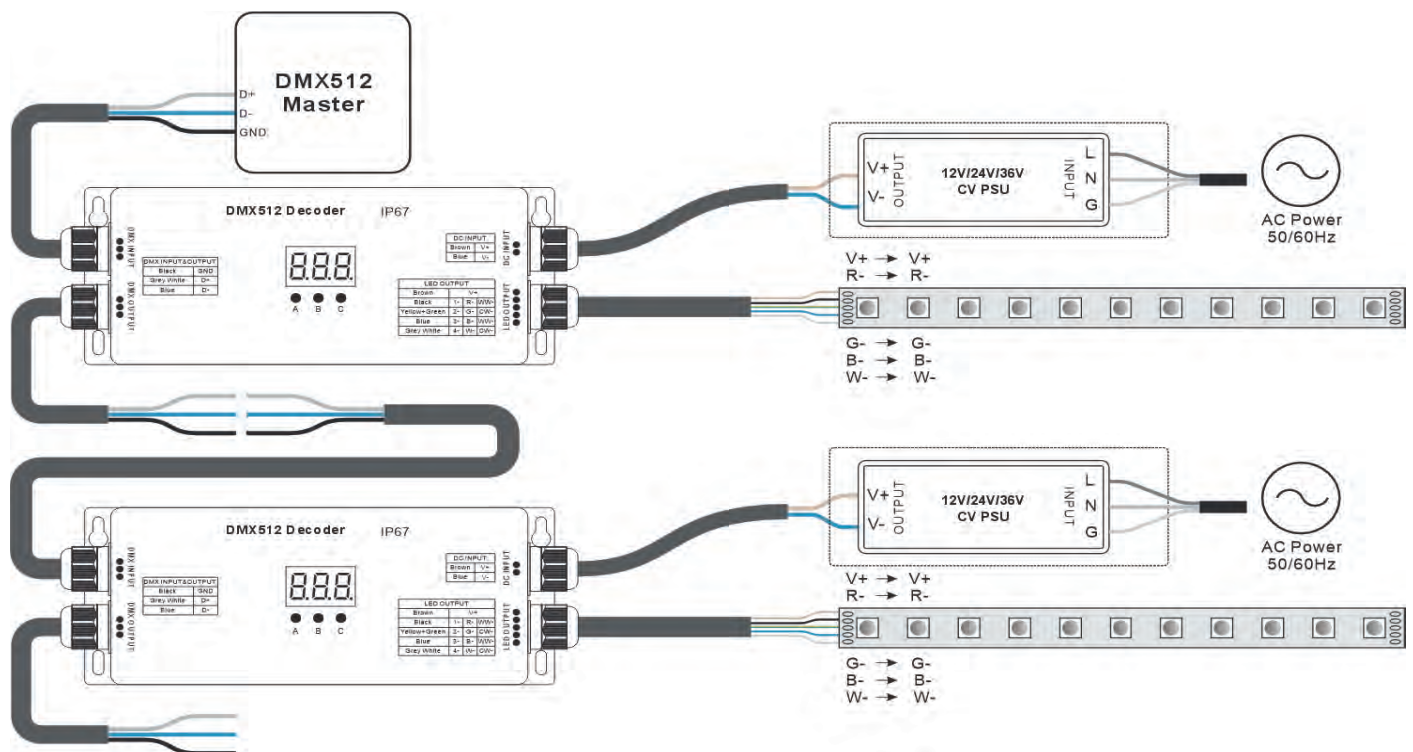
## SPECIFICATIONS

- Dimensions 180.5x73.6x38 mm
- 5 Year Warranty
- UL, CE and RoHS compliant
- 12-36 V DC
- 4 x 5A per channel
- 4x(60-180) W (12-36V)
- Operating temperature -25<sup>o</sup>~+45<sup>o</sup>C
- IP67

## PRODUCT DATA

Input Voltage	Output Current	Output Power	Remarks	Size(LxWxH)	Ambient Temperature
12-36VDC	4x5A	4x(60-180)W	Constant Voltage	180.5x73.6x38mm	-25°C ~ +45°C

## CONNECTIONS



## DIMENSIONS

