

LC-DMX-4CH RDM Enabled DMX 512 Controller

- *Standard DMX512 compliant control interface*
- *RDM function enabled to realize intercommunication between DMX master and decoder.*
- *For example, DMX decoder's address can be assigned by DMX master console*
- *With digital display to show data directly, easily to set and show DMX address.*
- *Total 4 PWM output channels, common anode, 5A per channel*
- *DMX address manually settable*
- *DMX channel quantity from 1CH~4CH settable*
- *Output PWM frequency from 200HZ ~ 35K HZ settable.*
- *Output dimming curve gamma value from 0.1 ~ 9.9 settable*
- *To work with power repeater to expand output power unlimitedly.*
- *IP20*

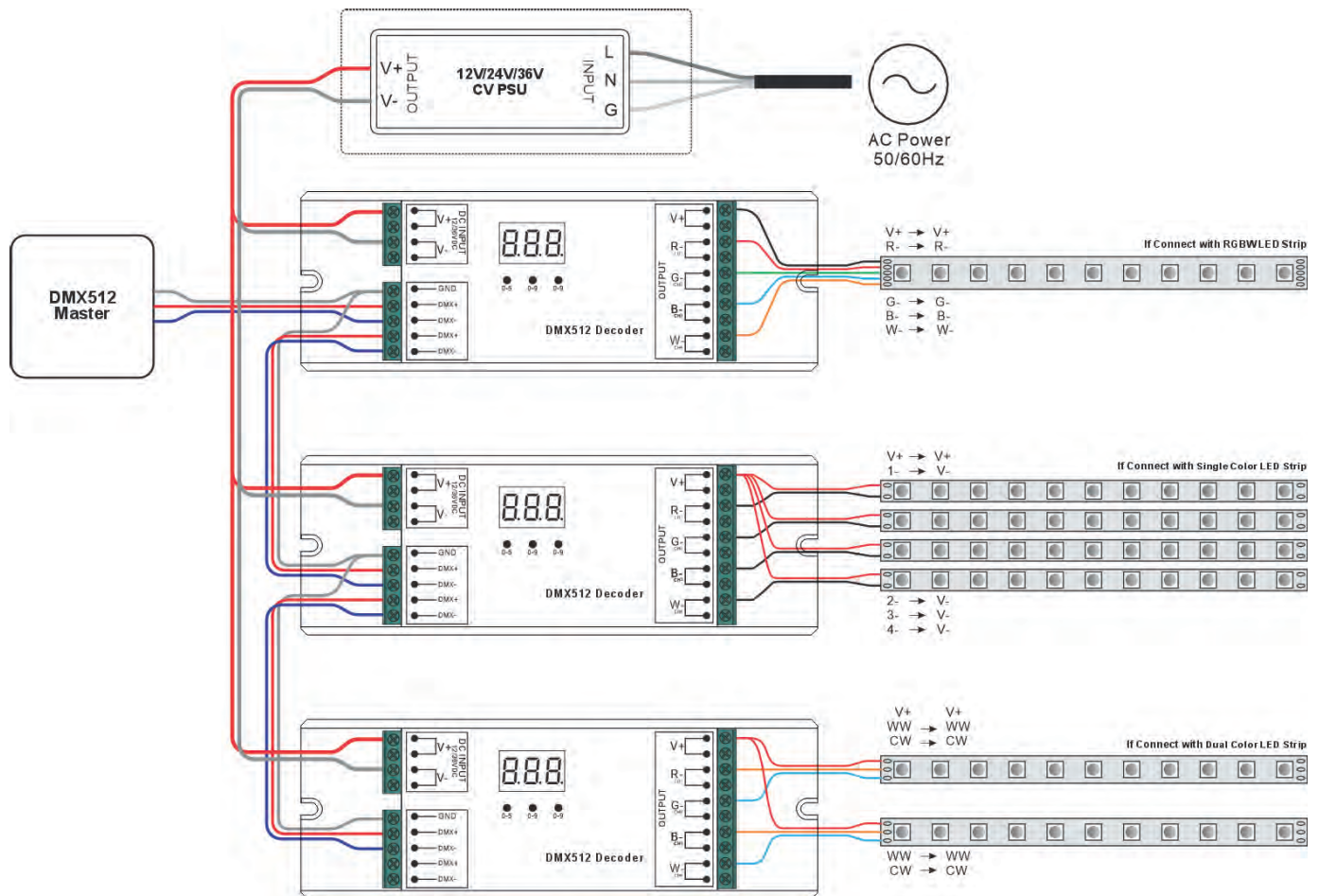
SPECIFICATIONS

- Dimensions 170x29x29 mm
- 5 Year Warranty
- UL, CE and RoHS compliant
- 12-36 V DC
- 4 x 5A per channel
- 4x(60-180) W (12-36V)
- Operating temperature -25^o~+45^oC
- IP20

PRODUCT DATA

Input Voltage	Output Current	Output Power	Remarks	Size(LxWxH)
12-36VDC	4x8A	4x(96-288)W	Constant Voltage	170x59x29mm

CONNECTIONS



DIMENSIONS

