

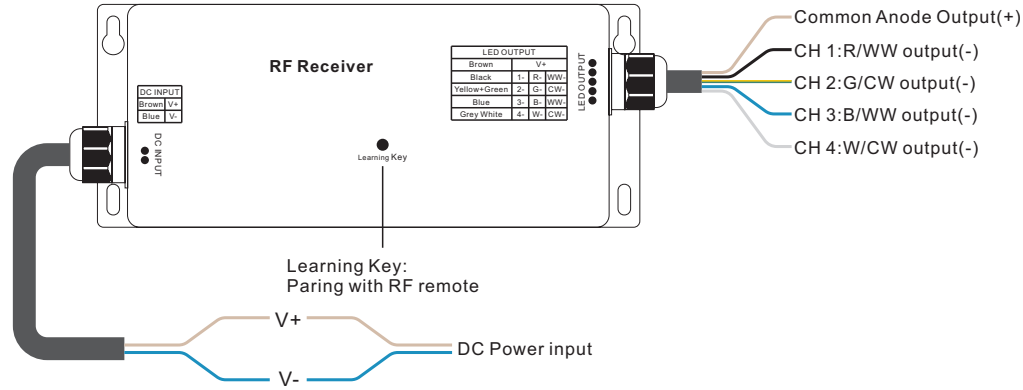
Universal series RF Waterproof Receiver

70020009



Important: Read All Instructions Prior to Installation

Function introduction



Product Data

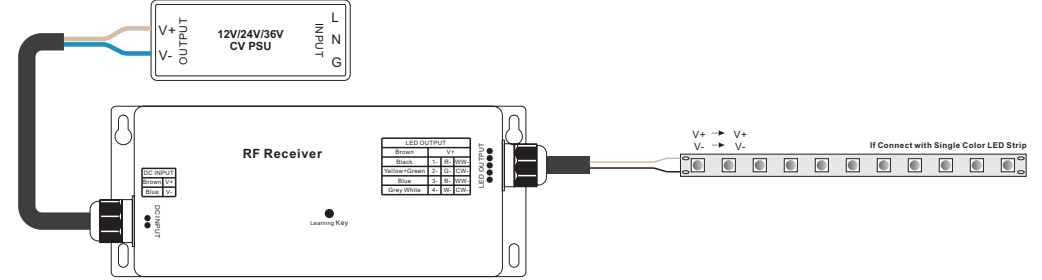
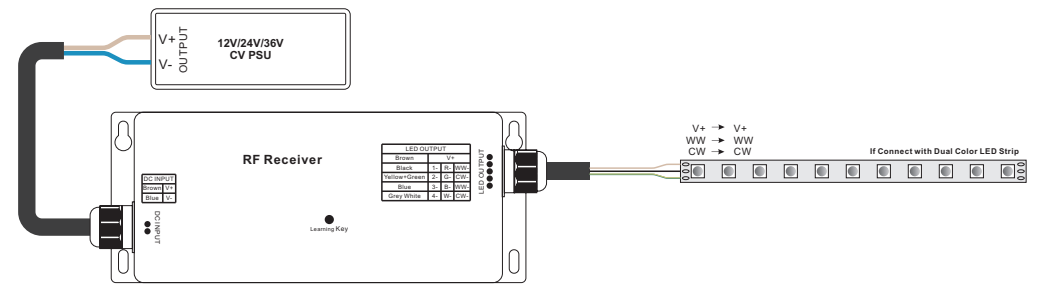
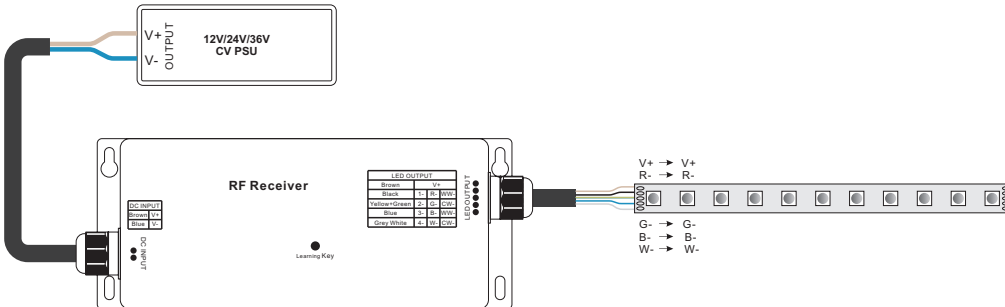
No.	Input Voltage	Output Current	Output Power	Remarks	Size(LxWxH)
1	12-36VDC	4x5A	4x(60-180)W	Constant voltage	180.5x73.6x38mm

- Radio Frequency : 869.5/916.5/434mhz
- Waterproof grade: IP67

Safety & Warnings

- DO NOT install with power applied to device.
- This device is IP67 rating and protected against damp environment.

Wiring Diagram



Pair/delete the pairing with RF remote

1. Do wiring according to connection diagram.
2. Pair RF Receiver with RF remote: please refer to the instruction of the remote that you would like to pair with.
3. Delete the pairing:
 - (1) Wire up the RF receiver correctly, power on.
 - (2) Press and hold down the " **Learning Key** " button on receiver for over 3 seconds until the connected light flashes, which means well deleted.

Product Dimension

